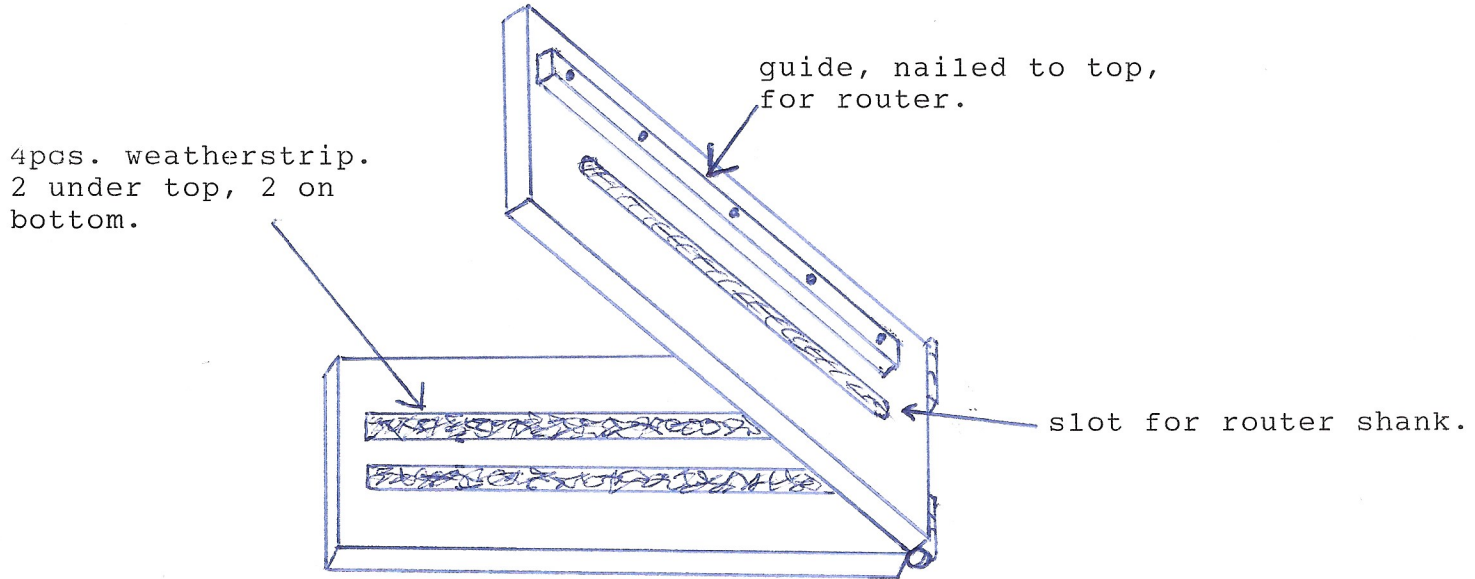


ROUTER BOX for Cutting Shingles



Top and bottom made from 2 pcs. 3/4 plywood, aprox. 8 X 24.

1. Recommended width for valley is 3-4 inches.
2. Chalk-line the valley on the valley tin.
3. Cut all layers of felt recessed from line approx. 1/2 - 1 inch.
4. Use line as a guide to mark shingles that extend into the valley.
5. Lay the shingle in the router box, lining up your marks, and close the lid.
6. Hold lid down firmly with one hand and cut with router using your other hand.
7. Caulk under the cut edge of the shingle, (i.e. along the valley) and nail into place.